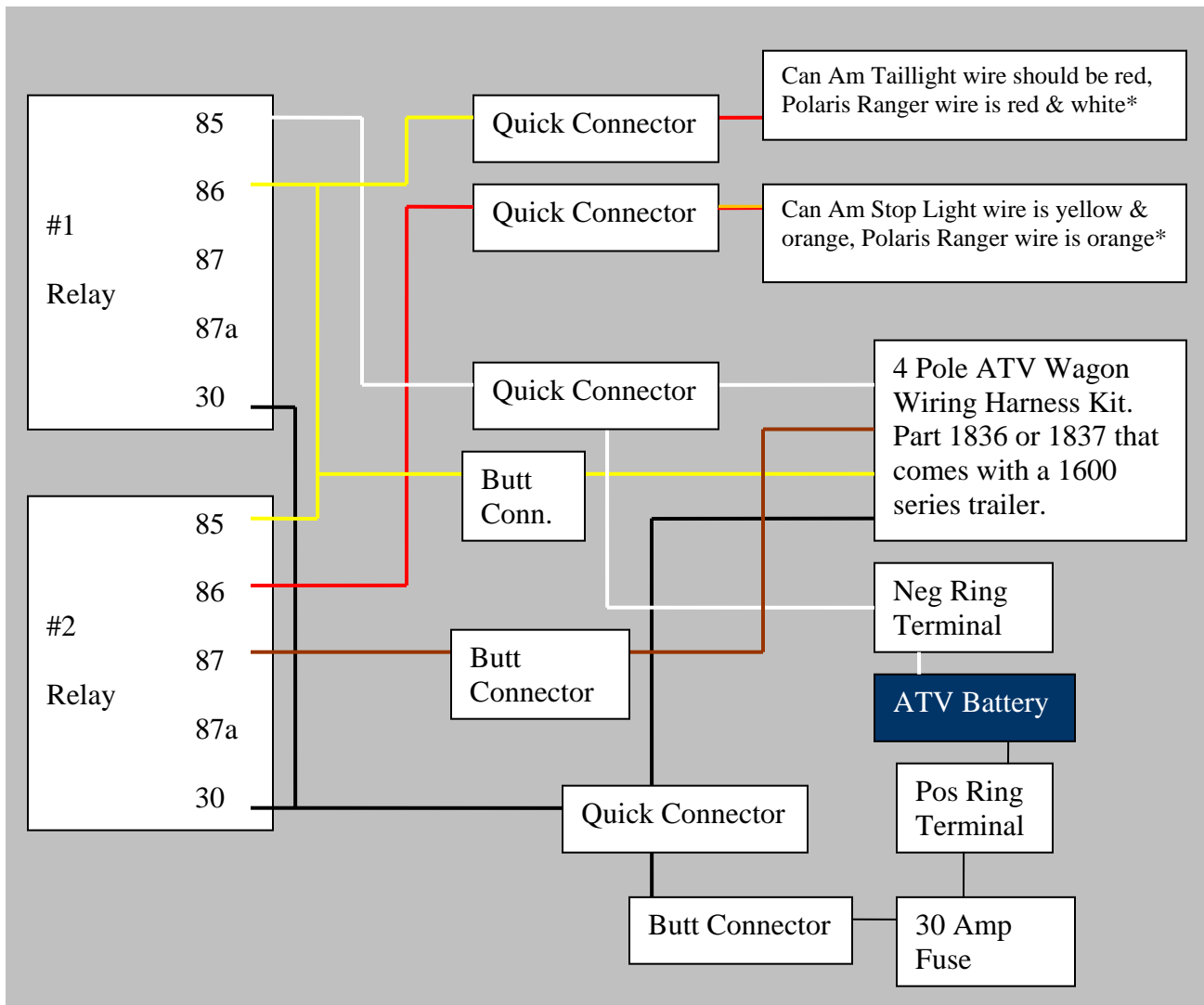
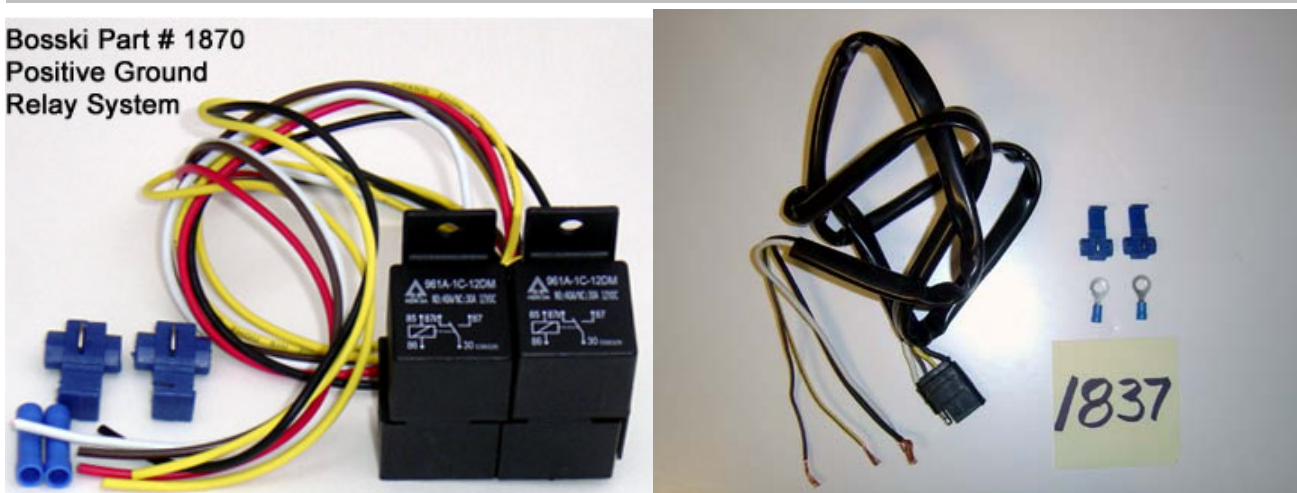


Part 1870- Positive Ground Relay System



Boski Part # 1870
Positive Ground
Relay System



Polaris Rangers and Can Am / Bombardier quads can easily be made compatible with an ATV Wagon trailer braking system by purchasing Part 1870 from Boski, see photo above. The Positive Ground Relay System works in conjunction with the ATV Side Wiring Harness which comes with a trailer. If needed, please see your ATV Wagon Owner's Manual for more information on connecting the ATV Side Wiring Harness. ***IMPORTANT:** Please review the owner's manual of your specific ATV and or check with your authorized OEM dealer for assistance on finding the Taillight wire and Stop Light wire on your machine.